

**SnapSafe**<sup>®</sup>  
A Hornady<sup>®</sup> Company

Owner's Manual  
Super Titan

XL – Item No. 75014  
XXL – Item No. 75013

## SNAPSAFE SUPER TITAN FEATURES:

- Delivered right to your door
- Assembles in minutes
- Sledgehammer and pry-bar resistant 3/16" solid steel door
- Thick steel exterior walls
- 2300°F one-hour Fire Shield protection
- Heat activated door fire seals
- 56 slot full gun rack
- EMP Lock
- Fourteen chrome steel live locking bolts
- Spring-loaded relocker
- Powder coated finish
- Lined interior
- Adjustable lined shelves
- Includes one full shelf and full gun rack and a half gun rack with two half shelves
- Professional grade "non breach seal" dead bolt door
- Predrilled for floor mounting
- Lifetime warranty



	Model No.	Exterior Dimensions	Interior Dimensions	Door Opening	Locking Bolts	Long Gun Capacity	Weight (Lbs)	
	Super Titan XL	75014	59"H x 38"W x 24"D	53.5"H x 33"W x 20.5"D	52"H x 29"W	14	36+	590
	Super Titan XXL	75013	59"H x 46"W x 30"D	53.5"H x 41"W x 26.5"D	52"H x 37"W	14	56	850

## PARTS LISTS

### SUPERTITAN XL - 75014

	PRODUCT PART	DIMENSIONS	PART #
1	Exterior Top	34 x 16	770086
2	Exterior Bottom	34 x 16	770087
3	Exterior Left Side	16 x 59	770085
4	Exterior Right Side	16 x 59	770085
5	Exterior Back	38 x 59	770072
6	Double Door Frame	38 x 59	770128
7	Top Interior Panel	34 x 20	770092
8	Bottom Interior Panel	33 x 20	770093
9	Left Interior Panel	20 x 54	770091
10	Right Interior Panel	20 x 54	770090
11A	Left Exterior Door	15 x 53	770129
11B	Right Exterior Door	15 x 53	770130
12	Solid Shelf /Gun Rack	32 x 16	770095
13	Full Solid Shelf	32 x 16	770094
14	Full Gun Rack	32 x 16	770096
15	2 - Half Solid Shelf	14 x 17	770097
16	Divider	34 x 16	770098
17	2 - Fire Blanket Side	16 x 59	770088
18	2 - Fire Blanket	34 x 16	770089
19	M12 x 1.75 Hex Nut	–	770032
20	Titan Shelf Clip	–	770034
21	4 - XL Floor Supports	–	770138

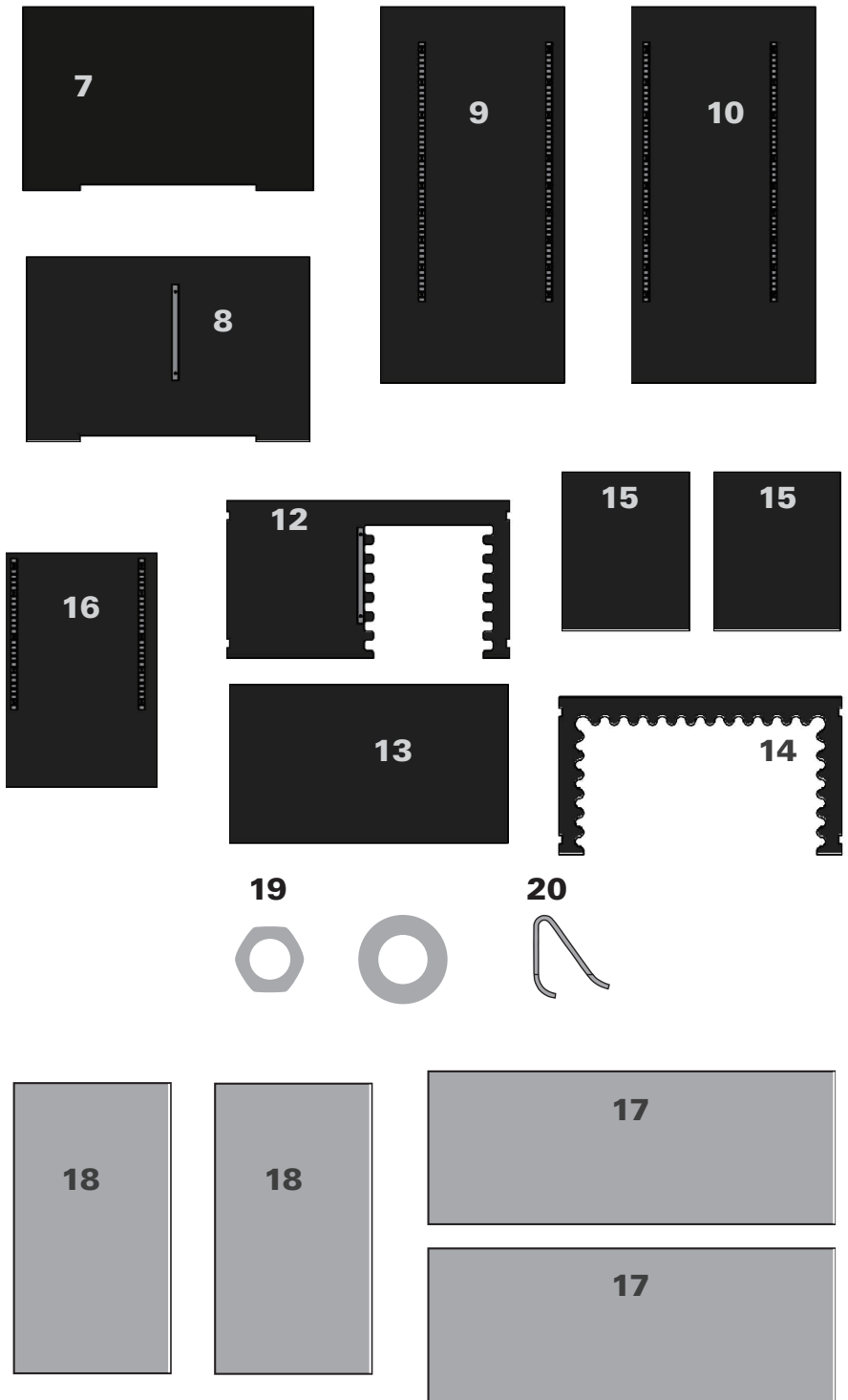
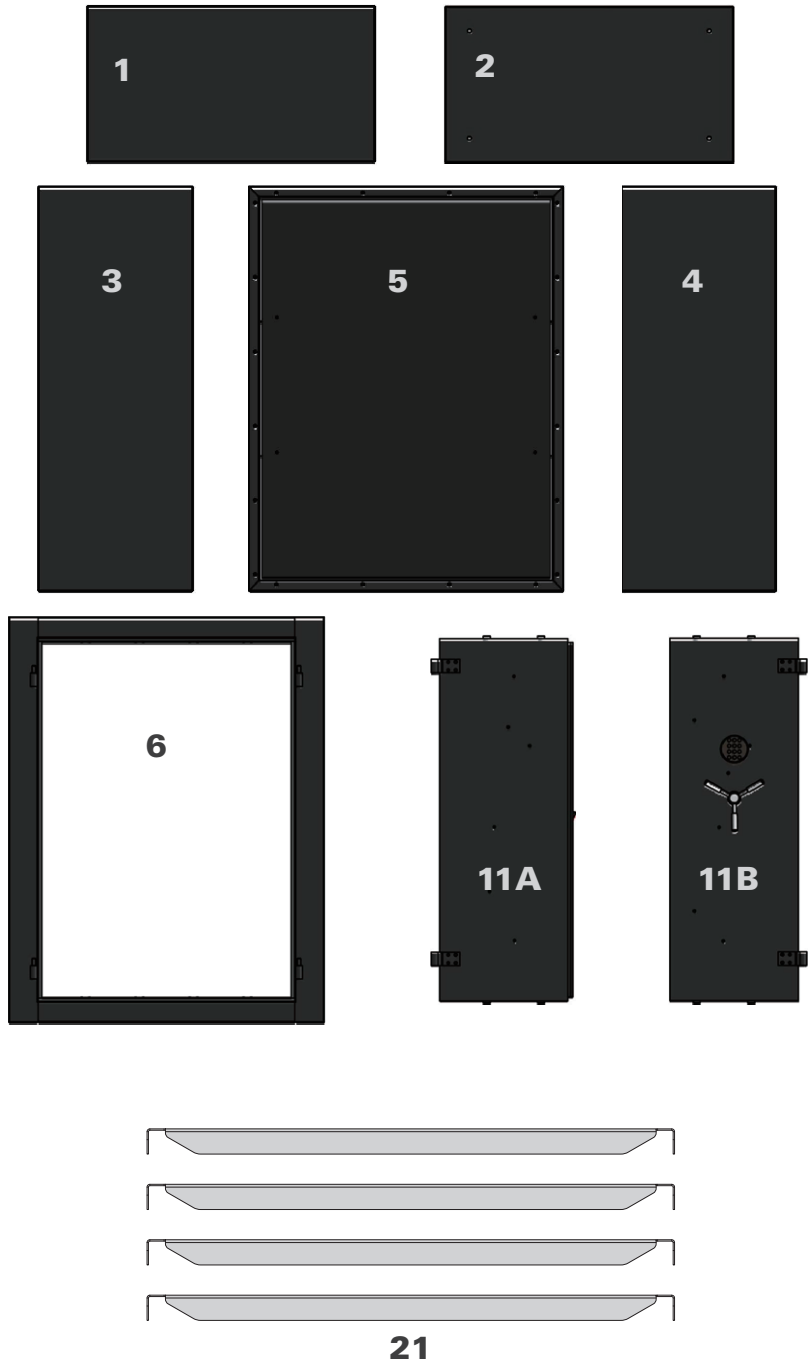
\* Dimensions are in inches unless otherwise noted.

### SUPERTITAN XXL - 75013

	PRODUCT PART	DIMENSIONS	PART #
1	Exterior Top	42 x 22	770104
2	Exterior Bottom	42 x 22	770105
3	Exterior Left Side	22 x 59	770103
4	Exterior Right Side	22 x 59	770103
5	Exterior Back	46 x 59	770102
6	Double Door Frame	46 x 59	770048
7	Top Interior Panel	42 x 46	770112
8	Bottom Interior Panel	41 x 26	770113
9	Left Interior Panel	26 x 54	770111
10	Right Interior Panel	26 x 54	770110
11A	Left Exterior Door	19 x 53	770049
11B	Right Exterior Door	19 x 53	770099
12	Solid Shelf /Gun Rack	40 x 23	770115
13	Full Solid Shelf	40 x 23	770114
14	Full Gun Rack	40 x 23	770116
15	2 - Half Solid Shelf	23 x 19	770117
16	Divider	33 x 23	770098
17	2 - Fire Blanket Side	22 x 59	770108
18	2 - Fire Blanket	42 x 22	770109
19	M12 x 1.75 Hex Nut	–	770032
20	Titan Shelf Clip	–	770034
21	5 - XXL Floor Supports	–	770139

\* Dimensions are in inches unless otherwise noted.

# PARTS - XL & XXL



# ASSEMBLING YOUR SUPER TITAN

## NOTES:

1. Each panel includes a label indicating the final assembled orientation (e.g. TOP, BOTTOM, FRONT, etc.). LEFT and RIGHT are as you face the front of the vault.
2. For easier assembly, the FIRESHIELD blankets can be removed from the TOP, BOTTOM and SIDE panels.
3. At first, loosely screw on nuts to insure all exterior panels properly align and remain square during assembly. The nuts can be tightened after all exterior panels are assembled.
4. The INTERIOR PANELS are designed to fit snugly, but do not force into place as it may damage them.

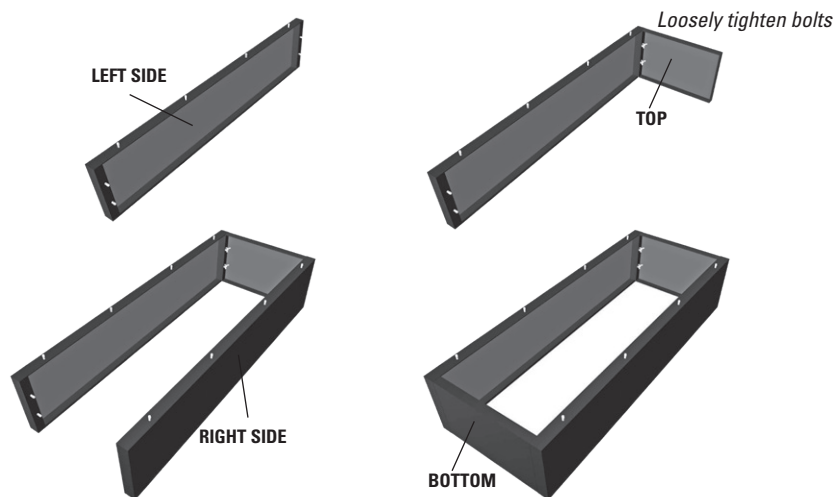
## STEPS:

1. Unpack and lay out all parts except the front door assembly.
2. To lighten the door assembly for easier removal from the shipping crate, remove the doors by following the steps below.
  - a. Thread DOOR HANDLE SPOKES onto the hub on DOOR (Part 11B).
  - b. IMPORTANT – Remove temporary door hinge screws from door hinges.
  - c. Install a fresh high-quality 9V battery in the Entry Keypad (page 9).
  - d. Enter the factory combination code and open the DOOR, then carefully lift it off the DOOR FRAME (Part 6) and set aside.

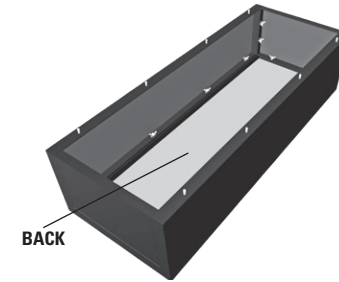
**NOTE:** To assure the safe is assembled square it is best to build the safe on its back and then stand it up after tightening all bolts.

Each panel is identified with a label that also indicates assembly orientation. Follow the instructions on the label to ensure proper panel orientation during assembly.

3. To begin, assemble the Top, Bottom and Sides (Parts 1 through 4) first. Loosely hand tighten bolts to hold panels together.



4. Lay the back panel onto a soft flat surface. Lift the side panel assembly onto the BACK (Part 5). Align all bolts and holes before loosely hand tightening the nuts onto the bolts.



5. Place the DOOR FRAME panel (Part 6) onto the side panel assembly to complete the exterior housing of the safe. Align all bolts and holes before loosely hand tightening the nuts onto the bolts. After all nuts have been loosely installed, use the included wrench and socket to tightening all nuts.

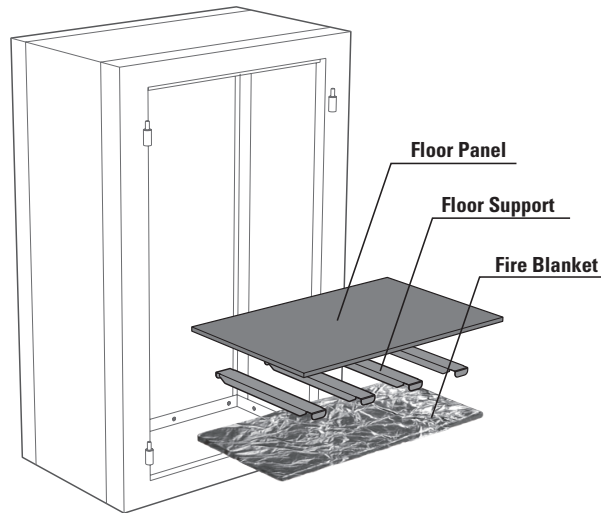
**CAUTION: Do not over tighten nuts.**

6. If the inner FIRESHIELD blankets were removed in the previous steps, replace them back into corresponding panels. The FIRESHIELD blankets must tuck under edges to allow interior panels to fit.
7. With the safe still on its back, install the interior panels in the following order.

**WARNING: Do not force panels into place as they may crack.**

- a. Place the TOP INTERIOR PANEL into the safe. It may help to first insert the front edge into the door frame before sliding the back into place.
  - b. Install the two SIDE INTERIOR PANEL by inserting the front edge into the door frame before slide the back into place.
  - c. Finally, insert the INTERIOR BOTTOM PANEL through the door opening between the front and back shelf strips and then drop into position front-to-back. Make sure the lifting strap remains accessible.
8. The safe can now be stood up and moved into position. The doors can also be reinstalled.
  9. Once the safe is in its final position and you are comfortable with the operation of the safe, bolt the safe to the floor for maximum security. Remove the BOTTOM INTERIOR PANEL and FIRESHIELD blanket to access the mounting holes. Use quality hardware compatible with your particular floor type.

10. With the BOTTOM INTERIOR PANEL removed, place the FLOOR SUPPORT brackets over the fire blanket so the lip of the brackets hang on the ribs in the bottom panel. Equally space the floor supports before replacing the BOTTOM INTERIOR PANEL.



**NOTE:**  
 The Titan XL uses 4 floor support brackets.  
 The Titan XXL uses 5 floor support brackets.

11. The interior shelving and gun racks can now be installed.



12. For additional help, watch our "Live Action Assembly Video" on the "Features" page at [www.snapsafe.com](http://www.snapsafe.com).

## CARE AND MAINTENANCE

With a little care and maintenance your SnapSafe Modular Vault will last a lifetime. Keep the door hinge pins lightly greased so that the door opens smoothly. Never use harsh solvents or abrasives on any surfaces, as they may damage the exterior finish or interior materials.

## SNAPSAFE LIFETIME WARRANTY

If you ever experience a fire or attempted break-in we'll repair or replace your vault at no charge. (All you have to do is to forward the report from the proper investigative agency.)

## OPENING AND CLOSING YOUR SAFE

Your factory preset combination code is 1-2-3-4-5-6. **This code must be changed to prevent unauthorized access.**

### OPENING:

1. Enter the 6-digit combination code.
2. Rotate 3-spoke handle clockwise into the open position and pull door open.
3. The Entry Keypad relocks in 4 seconds after a valid code has been entered.
4. The Entry Keypad will return to "standby" status with a long beep sound if there is no operation in 10seconds after the system has been activated.
5. If you enter an incorrect combination 4-times in a row, the lock will shut down for 5-minutes.

### CLOSING:

1. Close safe door.
2. Rotate 3-spoke handle counter-clock wise to the closed position until you hear bolts engage.

## CHANGING YOUR COMBINATION CODE

Your factory preset combination code is 1-2-3-4-5-6. **This code must be changed to prevent unauthorized access.**

**Write down and store a new 6-digit code. Do not store in safe. You cannot set the combination code to six (6) zeros (0).**

1. Open safe door and lock it in open position.
2. Enter zero (0) six (6) times. One beep sounds indicating the entry is valid and the system is awaiting a code change.
3. Enter the existing 6-digit code. One beep sounds, indicating the entry is valid.

4. Enter a new 6-digit code. One beep sounds, indicating the entry is valid.
5. Re-enter the new 6-digit code. One beep sounds, indicating that the code in steps 4 and 5 are the same and the code change is successful.
6. If three beeps sound, the code change was unsuccessful, and the existing code is still valid. Repeat steps 2 – 5.
7. Enter and check new code three times before closing door.

**NOTE:** Each step in the code change process must be completed in 10 seconds or the system reverts back to “standby” status.

## LOW BATTERY ALERT

Your lock has a “Low Battery Alert.” If the Entry Keypad beeps repeatedly during an unlocking, the battery is low and needs immediate replacement.

## INSTALLING AND REPLACING ENTRY KEYPAD BATTERY

Your safe is equipped with an electronic lock made with non-volatile memory, meaning your combination code is retained even if the batteries are no longer powering the lock. If this happens, simply replace the batteries.

Install only a high-quality alkaline battery in the compartment in the back of the Entry Keypad following these steps.

1. Remove Entry Keypad. Slide it up and carefully pull it away from the safe’s door. (Fig.1)

**NOTE:** Do not pull the Keypad as too much force may damage the cable.

2. Snap new battery into the connector clip, and slide it into the battery compartment top down so that the wires will not be pinched between the battery and the safe door. (Fig.2)
3. Position the Keypad over the mounting screws, and slide it down into position.

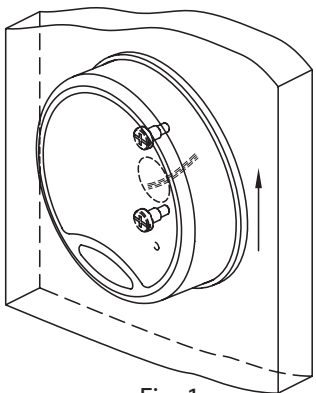


Fig. 1

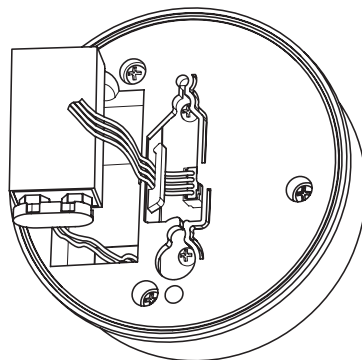


Fig. 2

## BACKUP MECHANICAL KEY OVERRIDE

**WARNING:** Store keys in a secure location away from the safe.

To access key override slot, gently slide digital keypad up and away from door to remove keypad.

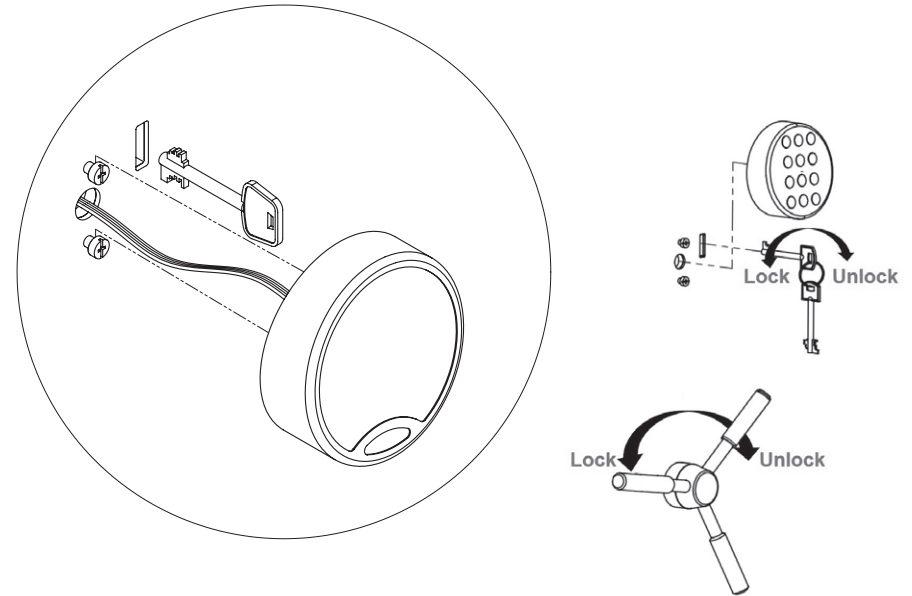
**NOTE:** When digital keypad is removed, handle keypad and cable carefully to prevent damage to cable.

### UNLOCK

Place key into slot as shown and rotate clockwise. With key rotated, rotate door handle clockwise to retract locking lugs and open door.

### LOCK

Fully close door. Then rotate door handle counterclockwise to extend locking lugs. Rotate key counterclockwise to lock extended lugs and safe. Remove key and carefully tuck cable back into hole in door while replacing digital keypad. Make sure safe is locked.



## BOLTING DOWN YOUR VAULT

We recommend bolting your vault to the floor using two ¼" wedge anchor concrete bolts through the predrilled holes in the BOTTOM of the vault.

# **SnapSafe**<sup>®</sup>

*A Hornady<sup>®</sup> Company*

**Customer Service: PO Box 1848, Grand Island, NE 68802-1848  
1-877-214-4470 | Email: [info@snapsafe.com](mailto:info@snapsafe.com)**

*SnapSafe<sup>®</sup> is a Hornady<sup>®</sup> Company.*